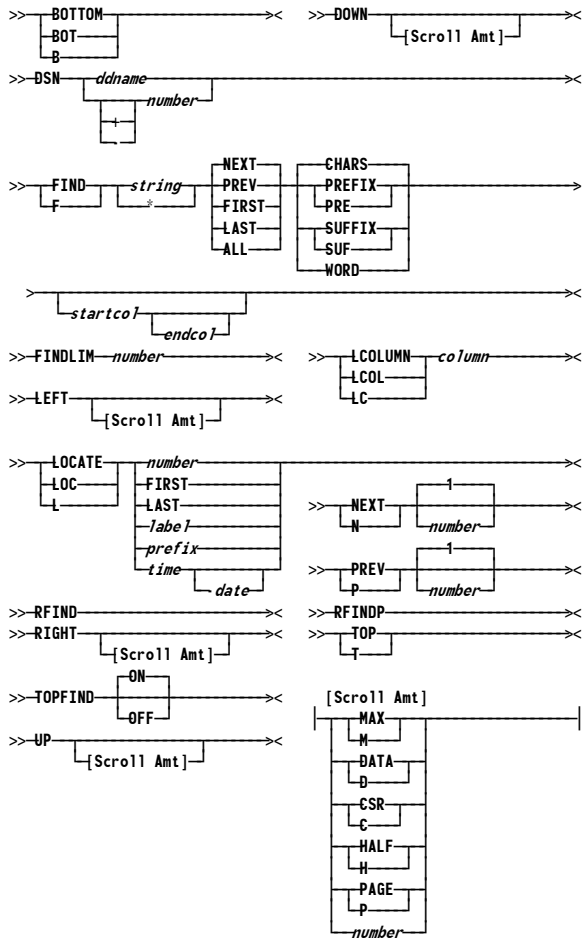
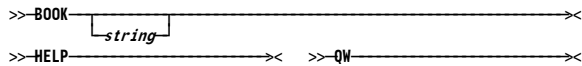


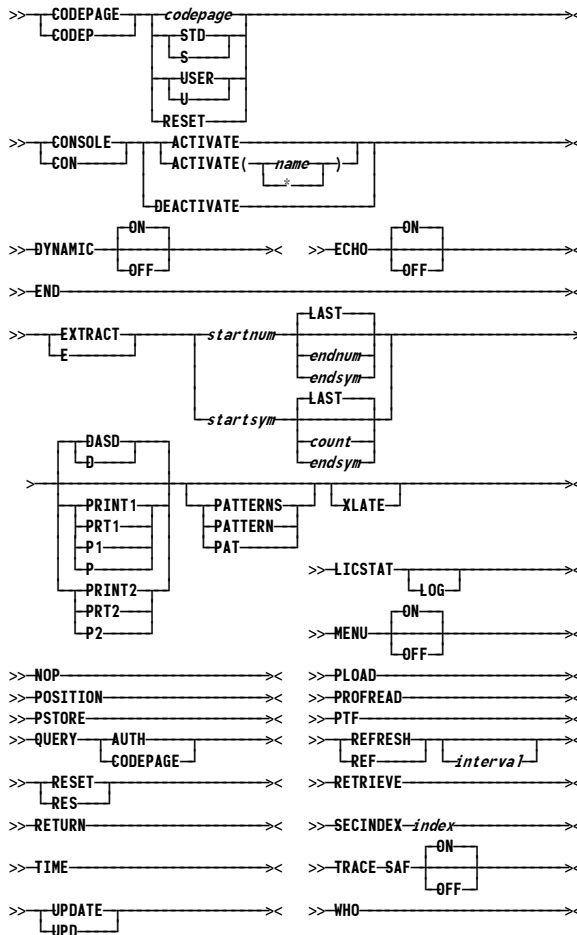
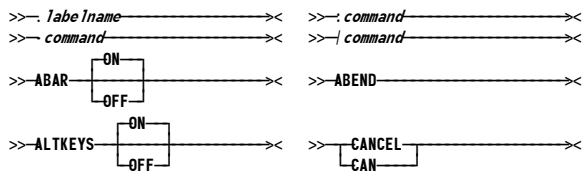
Search and Scroll Commands



Help Commands



Other Commands



Customer Application Infrastructure

The following describes the CAI plug-ins delivered with (E)JES. Your installation may have customized the CAI to provide functions other than those described here:

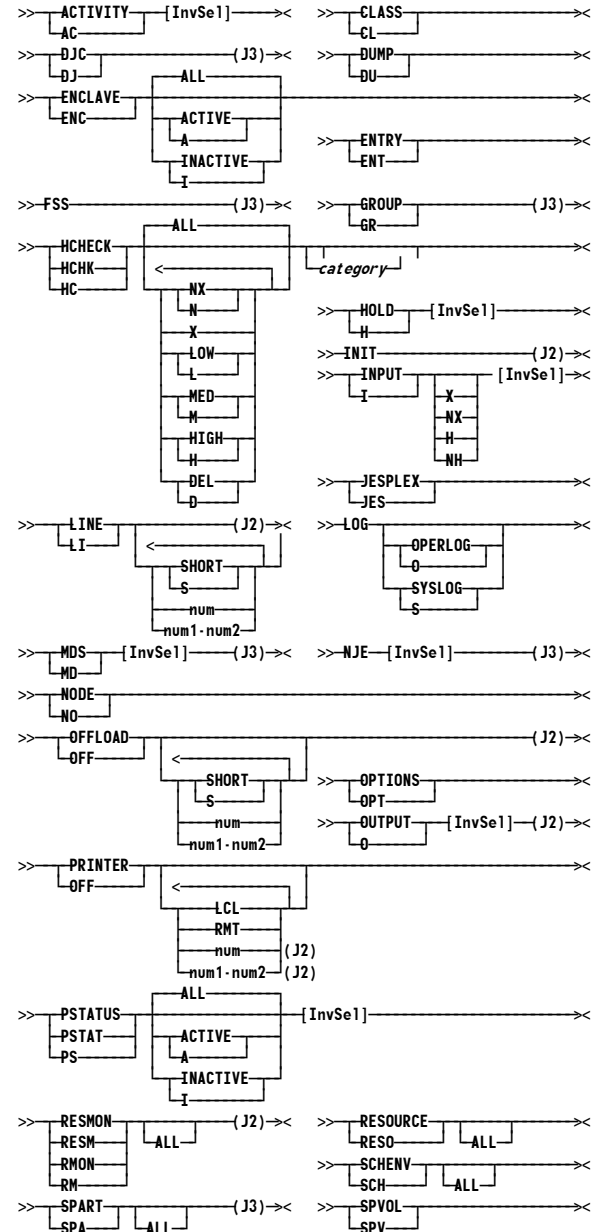
Line Cmd	Description
. (dot)	Display available Post-Processor applications
.F	TCP/IP FTP PUT a Report Object
.M	TCP/IP SMTP (e-mail) a Report Object
.X	TSO XMIT a Report Object
.R	TSO Receive a Spool Data Set
.S	Resubmit Job Without Editing

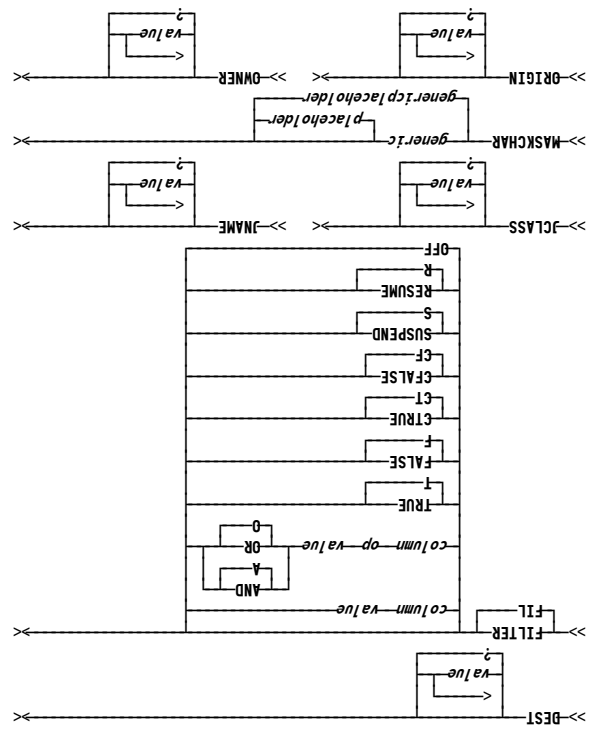
©Copyright 1990-2009 by Phoenix Software International. (E)JES is a registered trademark of Phoenix Software International, Inc. This information is intended for use by (E)JES customers only. Other usages are prohibited. Reproduction for internal use only is permitted, provided that copies are made without modification and with all proprietary notices preserved.

(E)JES V4R7.0 Command Syntax Reference Summary (Tri-Fold)

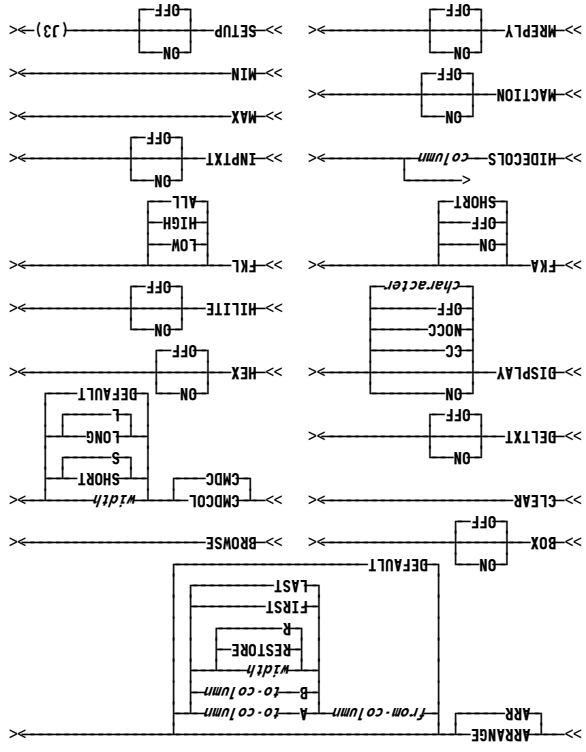
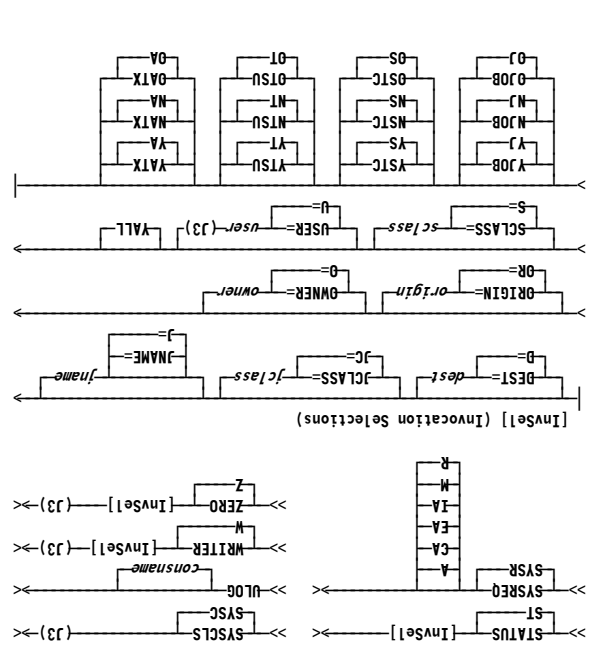
(J2) = JES2-specific command (J3) = JES3-specific command

Navigation Commands

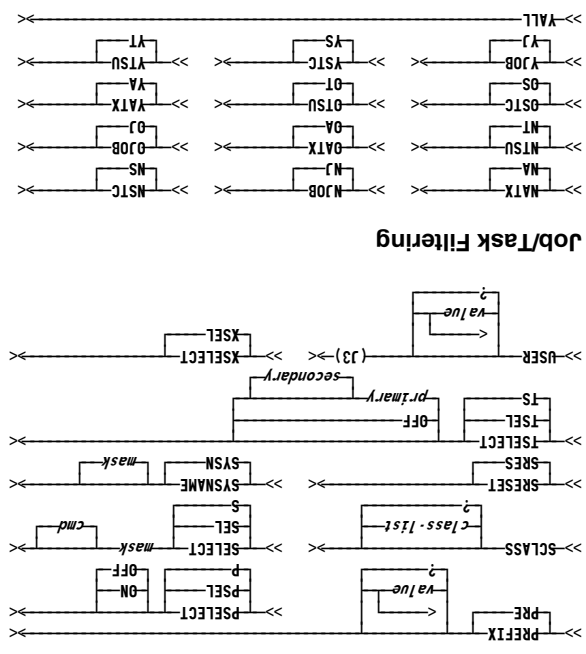




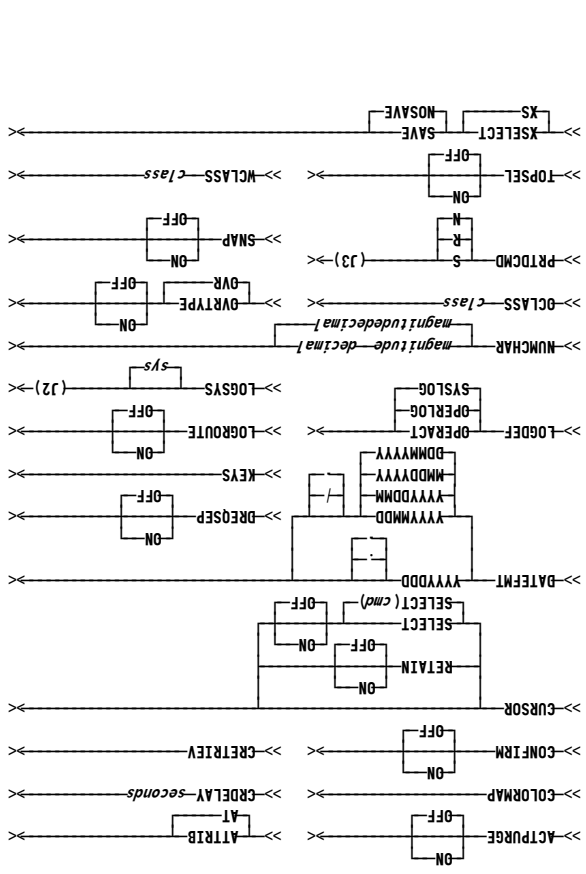
Filtering Commands



View Commands



Job/Task Filtering



Options Commands

