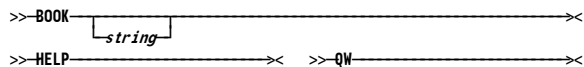


## Extract Post Processor

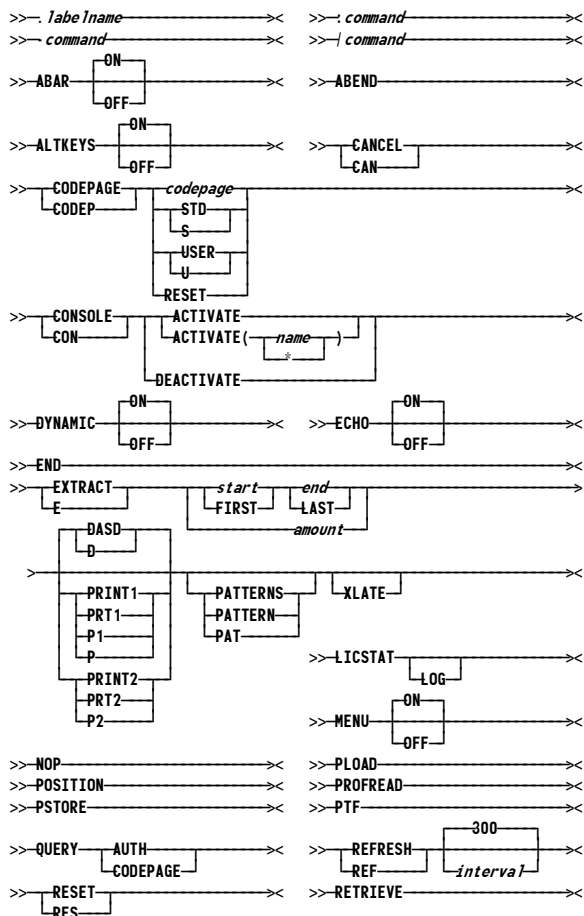
The following describes the Extract Post Processor functions delivered with (E)JES. Your installation may have added, deleted or customized the delivered Extract Post Processor applications to provide functions different from those described here.

Line Cmd	Description
. (dot)	Display available Post-Processor applications
.B	ISPF Browse a Job, Data Set, or Health Check
.E	ISPF Edit a Job, Data Set, or Health Check
.EP	ISPF Edit then print a Job, Data Set, or Health Check
.J	ISPF Edit a Job's JCL
.F	TCP/IP FTP a Job, Data Set, or Health Check
.M	TCP/IP SMTP (e-mail) a Job, Data Set, or Health Check
.X	TSO/E XMIT a Job, Data Set, or Health Check
.R	TSO/E Receive a Data Set

## Help Commands



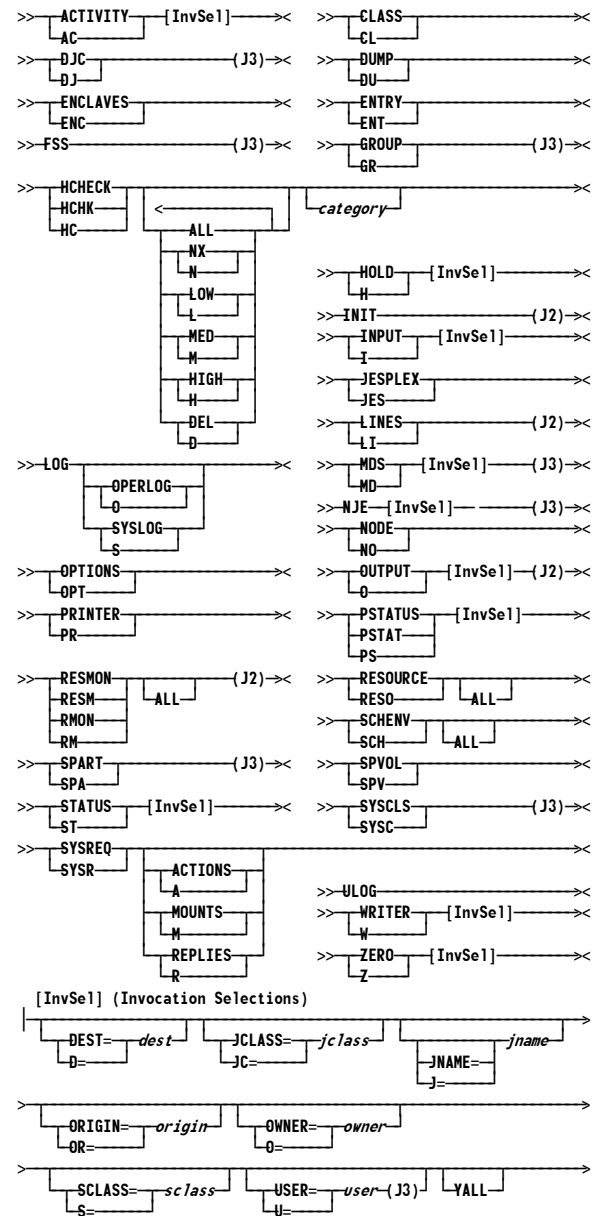
## Other Commands



# (E)JES V4R4.0 Command Syntax Reference Summary (Tri-Fold)

(J2) = JES2-specific command (J3) = JES3-specific command

## Navigation Commands



©Copyright 1990-2006 by Phoenix Software International. (E)JES is a registered trademark of Phoenix Software International, Inc. This information is intended for use by (E)JES customers only. Other usages are prohibited. Reproduction for internal use only is permitted, provided that copies are made without modification and with all proprietary notices preserved.

